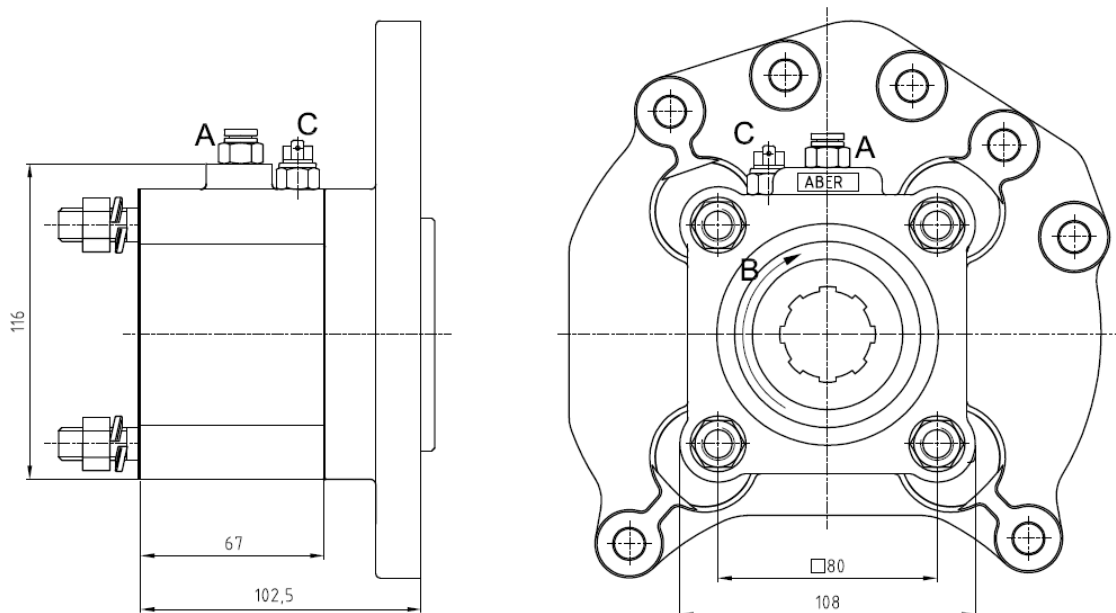




<b>Power Take Offs</b>		Ref. TF8007SP
<b>MERCEDES</b>	G4/65 ; G4/95 ; G4/110	

To apply with Gear Pumps or with Piston Pumps

### Main Dimensions



- A – Air connection
- B – Pump rotation
- C – Option: Electric sensor with mechanical driving Ref. TF8007SPS or TF8007SPC

(Dimensions in mm)

### Main Data

<b>Continuous Torque (Nm)</b>	<b>300</b>		
<b>Intermittent Torque (Nm)</b>	<b>420</b>		
<b>Power (at 1000 rpm)</b>	<b>42 cv / 32 kW</b>		
<b>Mounting Position</b>	<b>Rear</b>		
<b>Pump Rotation</b>	<b>Left Hand</b>		
<b>Weight (kg)</b>	<b>7</b>		
<b>PTO internal ratio</b>	<b>1:1</b>		
<b>Indicative ratio from motor to PTO's output</b>			
G4/65 - 6/ 9	- 1 : 0.470	GV4/65 - 6/ 9	High: -1 : 0.562    Normal - 1 : 0.470
G4/65 - 7/ 11	- 1 : 0.401	GV4/95 - 6/ 9	High: -1 : 0.562    Normal - 1 : 0.470
GV4/95 - 6/ 9	- 1 : 0.470	GV4/110 - 6/ 9	High: -1 : 0.562    Normal - 1 : 0.470
GV4/95 - 7/ 11	- 1 : 0.401		
G4/110 - 6/ 9	- 1 : 0.470		

CTI TF8007SP 1211-0

ABER is constantly engaged in improving its products and, therefore, reserves itself the right to modify without any further notice the characteristics shown. The gear boxes are in constant change; therefore, ABER is not to be held responsible for any damage resulting from wrong application or application of outdated material.



**ABER - Embraiaagens e Comandos Hidráulicos - A. B. LDA**  
 Rua Francisco de Almeida, Nº 30 – Vila Nova da Telha – 4470 MAIA - Portugal  
 Telephone: +351.22.9438070 Fax: +351.22.9420823 e-mail: [aber@aber.pt](mailto:aber@aber.pt) <http://www.aber.pt>